

**S** SERIES

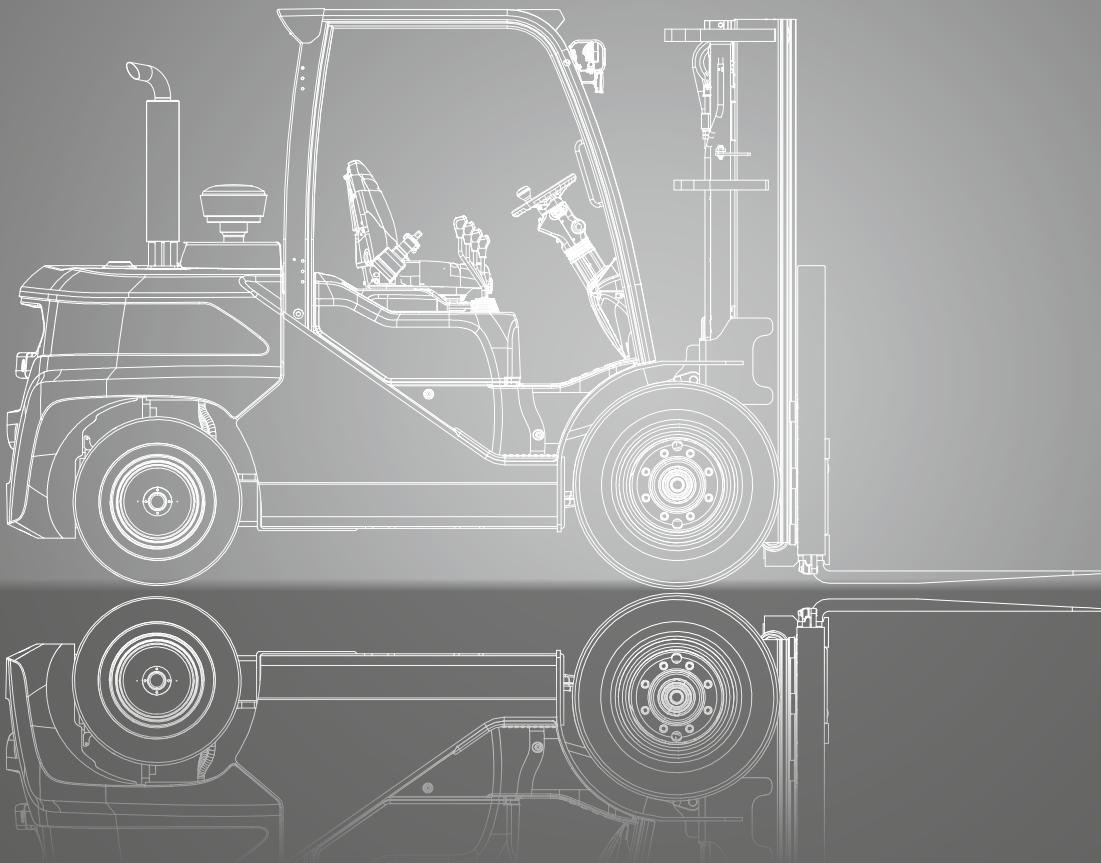
**CLARK**<sup>®</sup>  
THE FORKLIFT

# S40s/45s/50s/50/55

Diesel or LPG engine

Pneumatic or Superelastic Tyres

4000 kg 4500 kg 5000 kg 5500 kg



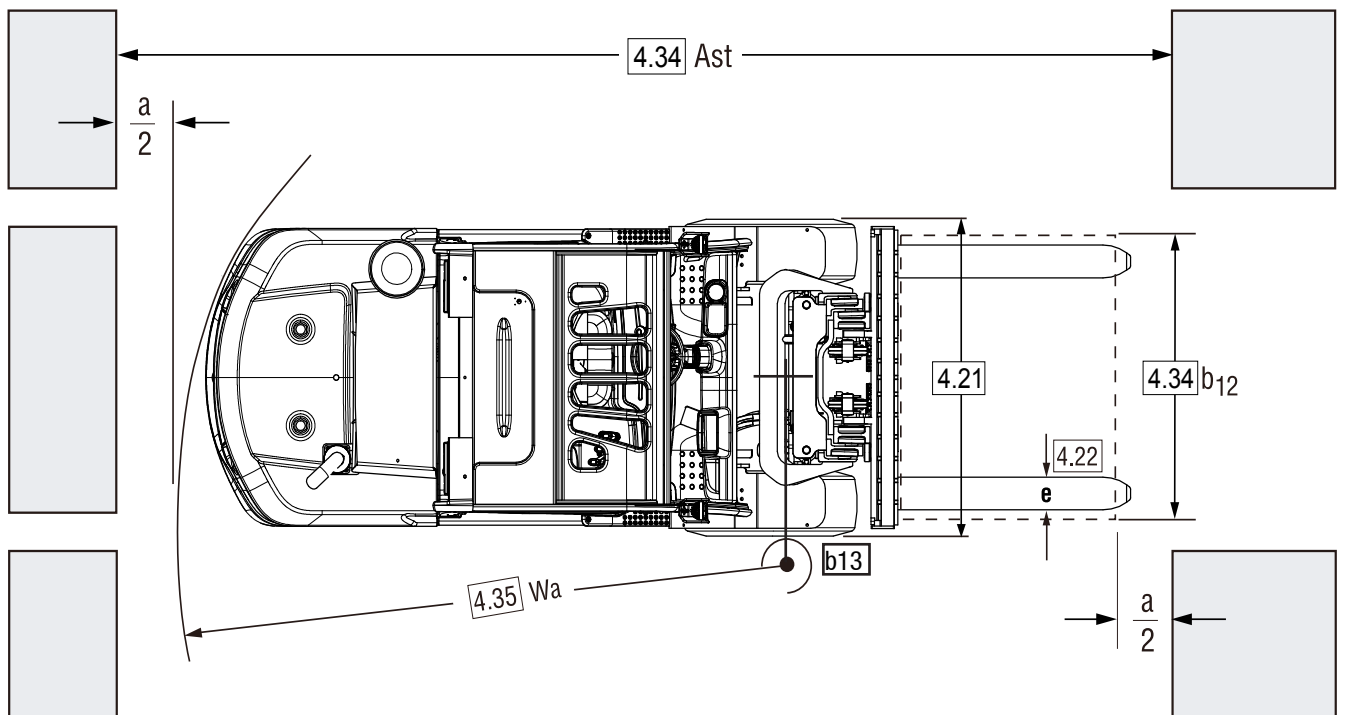
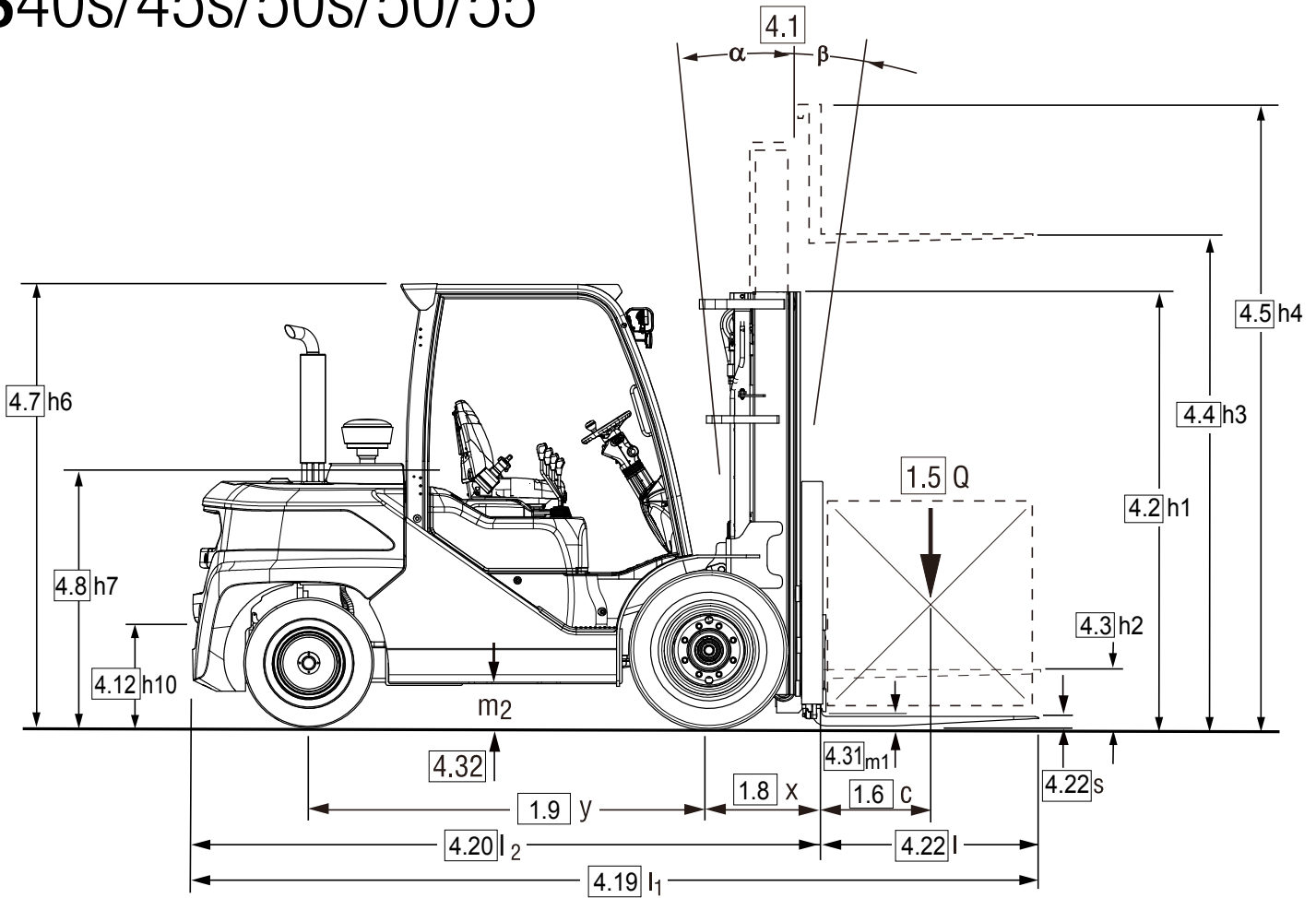
EU-Stage 5 -Diesel

EU-Stage 5 -LPG

[www.clarkmheu.com](http://www.clarkmheu.com)

# DIMENSIONS

## S40s/45s/50s/50/55



For corresponding data see specification chart.  $a = 200 \text{ mm}$   
 $Ast = Wa + x + l6 + a$   
 applies only if  $b12/2 < b13$

# SPECIFICATIONS

## Product Specifications acc. to VDI 2198

| 1.1 Manufacturer (Abbreviation)                                    |  | CLARK  | CLARK                        | CLARK                        | CLARK                        | CLARK                        |                        |
|--|--|--|------------------------------|------------------------------|------------------------------|------------------------------|------------------------|
| Specifications   | 1.2 Manufacturer's designation                                     | S40sD  | S45sD                        | S50sD                        | S50D                         | S55D                         |                        |
|  | 1.3 Drive unit Diesel, LPG   | Diesel   | Diesel                       | Diesel                       | Diesel                       | Diesel                       |                        |
|  | 1.4 Operator type stand on / driver seated                         | Driver Seated  | Driver Seated                | Driver Seated                | Driver Seated                | Driver Seated                |                        |
|  | 1.5 Load capacity / rated load Q (kg)                              | 4000   | 4500                         | 4990                         | 5000                         | 5500                         |                        |
|  | 1.6 Load centre distance c (mm)                                    | 500  | 500                          | 500                          | 600                          | 600                          |                        |
|  | 1.8 Load centre distance, centre of drive axle to fork face x (mm) | 563  | 563                          | 568                          | 578                          | 578                          |                        |
|  | 1.9 Wheelbase y (mm)   | 1950   | 1950                         | 2100                         | 2100                         | 2100                         |                        |
|  | Weight   | 2.1 Service weight *5 kg                                 | 5898 (6039)                  | 6275 (6416)                  | 6747 (6872)                  | 7171 (7277)                  | 7374 (7480)            |
|  |  | 2.2 Axle loading, laden front / rear *5 kg               | 8803/1094(8955/1084)         | 9501/1274(9652/1264)         | 10535/1212(10696/1176)       | 10716/1455(10835/1442)       | 11397/1477(11515/1465) |
| 2.3 Axle loading, unladen front / rear *5 kg                       |  | 2623/3275(2774/3265)                                     | 2548/3728(2699/3717)         | 2992/3755(3129/3743)         | 2912/4259(3030/4247)         | 2812/4562(2930/4550)         |                        |
| Tyres, Chassis   | 3.1 Tyre type, P = pneumatic, SE = superelastic *1                 | P  | P                            | P                            | P                            | P                            |                        |
|  | 3.2 Tyre size, front *5  | 8.25 X 15 - 14 PR  | 8.25 X 15 - 16 PR            | 300 X 15 - 18 PR             | 300 X 15 - 22 PR             | 300 X 15 - 22 PR             |                        |
|  | 3.3 Tyre size, rear  | 7.00 X 12 - 14 PR  | 7.00 X 12 - 14 PR            | 7.00 X 12 - 14 PR            | 7.00 X 12 - 14 PR            | 7.00 X 12 - 14 PR            |                        |
|  | 3.5 Wheels, number front/rear (x = drive wheels) *5                | 2 (4) / 2  | 2 (4) / 2                    | 2 (4) / 2                    | 2 (4) / 2                    | 2 (4) / 2                    |                        |
|  | 3.6 Tread, front *5 b10 (mm)                                       | 1145 (1314)  | 1145 (1314)                  | 1155 (1314)                  | 1155 (1314)                  | 1155 (1314)                  |                        |
|  | 3.7 Tread, rear b11 (mm)   | 1134   | 1134                         | 1134                         | 1134                         | 1134                         |                        |
|  | Dimensions   | 4.1 Tilt of upright/fork carriage, $\alpha / \beta$ Grad | 10 / 8                       | 10 / 8                       | 10 / 8                       | 10 / 8                       | 10 / 8                 |
| 4.2 Height, upright lowered *5 h1(mm)                              |  | 2234 (2207)  | 2234 (2207)                  | 2234 (2207)                  | 2242 (2207)                  | 2242 (2207)                  |                        |
| 4.3 Freelift h2(mm)  |  | 156  | 156                          | 156                          | 166                          | 166                          |                        |
| 4.4 Lift height *2 h3(mm)  |  | 3300   | 3300                         | 3300                         | 3300                         | 3300                         |                        |
| 4.5 Height, upright extended (with LBR) h4(mm)                     |  | 4552   | 4552                         | 4552                         | 4552                         | 4552                         |                        |
| 4.7 Height overheadguard Std /cabin *5 h6(mm)                      |  | 2309 / 2309<br>(2303 / 2303)                             | 2308 / 2308<br>(2302 / 2302) | 2308 / 2308<br>(2302 / 2302) | 2308 / 2308<br>(2301 / 2301) | 2305 / 2305<br>(2299 / 2299) |                        |
| 4.8 Seat height h7(mm)   |  | 1270   | 1270                         | 1270                         | 1270                         | 1268                         |                        |
| 4.12 Coupling height h10(mm)                                       |  | 460  | 460                          | 460                          | 460                          | 460                          |                        |
| 4.19 Overall length l1(mm)   |  | 4097   | 4148                         | 4441                         | 4505                         | 4555                         |                        |
| 4.20 Length to face of forks l2(mm)                                |  | 3027   | 3078                         | 3221                         | 3285                         | 3335                         |                        |
| 4.21 Width *5 b1, b2 (mm)  |  | 1385 (1769)  | 1385 (1769)                  | 1453 (1769)                  | 1437 (1769)                  | 1437 (1769)                  |                        |
| 4.22 Fork dimensions s • e • l (mm)                                |  | 50 x 122 x 1070  | 50 x 122 x 1070              | 50 x 150 x 1220              | 60 x 150 x 1220              | 60 x 150 x 1220              |                        |
| 4.23 Fork carriage DIN 15173, A, B                                 |  | Class III A  | Class III A                  | Class III A                  | Class IV A                   | Class IV A                   |                        |
| 4.24 Fork carriage width *5 b3 (mm)                                |  | 1348 (1678)  | 1348 (1678)                  | 1348 (1678)                  | 1348 (1678)                  | 1348 (1678)                  |                        |
| 4.31 Ground clearance minimum *5 m1 (mm)                           |  | 169 (142)  | 169 (142)                    | 169 (142)                    | 169 (142)                    | 169 (142)                    |                        |
| 4.32 Ground clearance centre of wheelbase *5 m2 (mm)               |  | 215 (189)  | 215 (189)                    | 215 (189)                    | 215 (189)                    | 215 (189)                    |                        |
| 4.33 Aisle width for pallets (6-b12) 1000 x 1200 crossways Ast(mm) | 4499   | 4549   | 4645                         | 4719                         | 4780                         |                              |                        |
| 4.34 Aisle width for pallets (6-b12) 800 x 1200 lengthways Ast(mm) | 4699   | 4749   | 4845                         | 4919                         | 4980                         |                              |                        |
| 4.35 Turning radius Wa(mm)   | 2471   | 2471   | 2614                         | 2614                         | 2614                         |                              |                        |
| 4.36 Internal turning radius b13 (mm)                              | 874  | 874  | 905                          | 905                          | 905                          |                              |                        |
| Performances   | 5.1 Travel speed laden/unladen *5 km/h                             | 22.0 / 21.0 (22.0 / 21.0)                                | 21.5 / 22.5 (21.5 / 22.5)    | 21.5 / 22.5 (21.5 / 22.5)    | 21.5 / 22.5 (21.5 / 22.5)    | 21.5 / 22.5 (21.5 / 22.5)    |                        |
|  | 5.2 Lift speed laden/unladen m/s                                   | 0.55 / 0.57 (0.55 / 0.57)                                | 0.55 / 0.57 (0.55 / 0.57)    | 0.55 / 0.57 (0.55 / 0.57)    | 0.50 / 0.57 (0.50 / 0.57)    | 0.48 / 0.57 (0.48 / 0.57)    |                        |
|  | 5.3 Lowering speed laden/unladen m/s                               | 0.50 / 0.47  | 0.50 / 0.47                  | 0.50 / 0.47                  | 0.50 / 0.47                  | 0.50 / 0.47                  |                        |
|  | 5.6 Max. drawbar pull laden/unladen *3 N                           | 34.433 / 19.914  | 36.002 / 22.072              | 33.942 / 22.406              | 33.942 / 22.406              | 33.844 / 22.170              |                        |
|  | 5.8 Max. gradeability laden/unladen *3 *5 %                        | 32.6 / 27.0 (34.8 / 27.0)                                | 31.0 / 26.5 (32.5 / 26.5)    | 25.0 / 26.5 (25.0 / 26.5)    | 25.0 / 26.5 (25.0 / 26.5)    | 24.8 / 26.0 (26.8 / 26.0)    |                        |
|  | 5.9 Acceleration time laden/unladen (0 - 15 m) s                   | -  | -                            | -                            | -                            | -                            |                        |
|  | 5.10 Service brake   | Wet disc brake   | Wet disc brake               | Wet disc brake               | Wet disc brake               | Wet disc brake               |                        |
| Engine   | 7.1 Manufacturer / Type *6   | Kubota/V3800-CR-TE5B                                     | Kubota/V3800-CR-TE5B         | Kubota/V3800-CR-TE5B         | Kubota/V3800-CR-TE5B         | Kubota/V3800-CR-TE5B         |                        |
|  | 7.2 Rated output acc. To ISO 1585 kW                               | 55.4   | 55.4                         | 55.4                         | 55.4                         | 55.4                         |                        |
|  | 7.3 Rated speed min-1  | 2200   | 2200                         | 2200                         | 2200                         | 2200                         |                        |
|  | 7.4 No. of cylinders / displacement /cm <sup>3</sup>               | 4 / 3.8  | 4 / 3.8                      | 4 / 3.8                      | 4 / 3.8                      | 4 / 3.8                      |                        |
|  | 7.5 Fuel consumption acc. VDI-Cyclus Diesel = l/h, Gas = kg/h      | -  | -                            | -                            | -                            | -                            |                        |
| Misc.  | 8.1 Type of drive control  | hydrodynamic   | hydrodynamic                 | hydrodynamic                 | hydrodynamic                 | hydrodynamic                 |                        |
|  | 8.2 Operating pressure for attachments *7 bar                      | Adjustable   | Adjustable                   | Adjustable                   | Adjustable                   | Adjustable                   |                        |
|  | 8.3 Oil volume for attachments l/min                               | max. 35  | max. 35                      | max. 35                      | max. 35                      | max. 35                      |                        |
|  | 8.4 Sound level, driver's ear *4 dB (A)                            | 83   | 83                           | 83                           | 83                           | 83                           |                        |
|  | 8.5 Towing coupling, class/type DIN                                | PIN  | PIN                          | PIN                          | PIN                          | PIN                          |                        |

\*1 Option with super-elastic tyres \*2 Further lift heights see upright table \*3 with 1.6 km/h Without load at friction coefficient  $\mu=0.8$  \*4 Equivalent permanent sound-pressure level L<sub>pAeq, T</sub> in accordance with DIN EN 12053 (previously DIN 45635-36) \*5 Values for Wide or Dual Tyre (Option) \*6 Diesel = Stage 5 / LPG= Stage 5 \*7 Max. 140 bar

All values shown are for a standard lift truck with standard equipment. If the truck is supplied with options, values may change.

All values given may vary + 5 % and - 10 % due the engine and specifications and represent nominal values obtained under typical operating conditions.

# SPECIFICATIONS

## Product Specifications acc. to VDI 2198

| 1.1 Manufacturer (Abbreviation)                                      |  | CLARK  | CLARK                        | CLARK                        | CLARK                        | CLARK                        |
|--|--|--|------------------------------|------------------------------|------------------------------|------------------------------|
| Specifications   | 1.2 Manufacturer's designation                                     | S40sL  | S45sL                        | S50sL                        | S50L                         | S55L                         |
|  | 1.3 Drive unit Diesel, LPG   | LPG  | LPG                          | LPG                          | LPG                          | LPG                          |
|  | 1.4 Operator type stand on / driver seated                         | Driver Seated  | Driver Seated                | Driver Seated                | Driver Seated                | Driver Seated                |
|  | 1.5 Load capacity / rated load Q (kg)                              | 4000   | 4500                         | 4990                         | 5000                         | 5500                         |
|  | 1.6 Load centre distance c (mm)                                    | 500  | 500                          | 500                          | 600                          | 600                          |
|  | 1.8 Load centre distance, centre of drive axle to fork face x (mm) | 563  | 563                          | 568                          | 578                          | 578                          |
|  | 1.9 Wheelbase y (mm)   | 1950   | 1950                         | 2100                         | 2100                         | 2100                         |
| Weight   | 2.1 Service weight *5 kg   | 5839 (5980)  | 6216 (6357)                  | 6672 (6797)                  | 7096 (7202)                  | 7299 (7405)                  |
|  | 2.2 Axle loading, laden front / rear *5 kg                         | 8742/1097 (8893/1086)                                    | 9439/1277 (9591/1266)        | 10464/1208 (10625/1172)      | 10645/1451 (10764/1438)      | 11326/1473 (11444/1461)      |
|  | 2.3 Axle loading, unladen front / rear *5 kg                       | 2561/3277 (2713/3267)                                    | 2486/3730 (2638/3720)        | 2921/3751 (3058/3739)        | 2841/4256 (2959/4243)        | 2841/4558 (2859/4546)        |
| Tyres, Chassis   | 3.1 Tyre type, P = pneumatic, SE = superelastic *1                 | P  | P                            | P                            | P                            | P                            |
|  | 3.2 Tyre size, front *5  | 8.25 X 15 - 14 PR  | 8.25 X 15 - 16 PR            | 300 X 15 - 18 PR             | 300 X 15 - 22 PR             | 300 X 15 - 22 PR             |
|  | 3.3 Tyre size, rear  | 7.00 X 12 - 14 PR  | 7.00 X 12 - 14 PR            | 7.00 X 12 - 14 PR            | 7.00 X 12 - 14 PR            | 7.00 X 12 - 14 PR            |
|  | 3.5 Wheels, number front/rear (x = drive wheels) *5                | 2 (4) / 2  | 2 (4) / 2                    | 2 (4) / 2                    | 2 (4) / 2                    | 2 (4) / 2                    |
|  | 3.6 Tread, front *5 b10 (mm)                                       | 1145 (1314)  | 1145 (1314)                  | 1155 (1314)                  | 1155 (1314)                  | 1155 (1314)                  |
|  | 3.7 Tread, rear b11 (mm)   | 1134   | 1134                         | 1134                         | 1134                         | 1134                         |
|  | Dimensions   | 4.1 Tilt of upright/fork carriage, $\alpha / \beta$ Grad | 10 / 8                       | 10 / 8                       | 10 / 8                       | 10 / 8                       |
| 4.2 Height, upright lowered *5 h1 (mm)                               |  | 2234 (2207)  | 2234 (2207)                  | 2234 (2207)                  | 2242 (2207)                  | 2242 (2207)                  |
| 4.3 Freelift h2 (mm)   |  | 156  | 156                          | 156                          | 166                          | 166                          |
| 4.4 Lift height *2 h3 (mm)   |  | 3300   | 3300                         | 3300                         | 3300                         | 3300                         |
| 4.5 Height, upright extended (with LBR) h4 (mm)                      |  | 4552   | 4552                         | 4552                         | 4552                         | 4552                         |
| 4.7 Height overheadguard Std /cabin *5 h6 (mm)                       |  | 2309 / 2309<br>(2303 / 2303)                             | 2308 / 2308<br>(2302 / 2302) | 2308 / 2308<br>(2302 / 2302) | 2308 / 2308<br>(2301 / 2301) | 2305 / 2305<br>(2299 / 2299) |
| 4.8 Seat height h7 (mm)  |  | 1270   | 1270                         | 1270                         | 1270                         | 1268                         |
| 4.12 Coupling height h10 (mm)  |  | 460  | 460                          | 460                          | 460                          | 460                          |
| 4.19 Overall length l1 (mm)  |  | 4097   | 4148                         | 4441                         | 4505                         | 4555                         |
| 4.20 Length to face of forks l2 (mm)                                 |  | 3027   | 3078                         | 3221                         | 3285                         | 3335                         |
| 4.21 Width *5 b1, b2 (mm)  |  | 1385 (1769)  | 1385 (1769)                  | 1453 (1769)                  | 1437 (1769)                  | 1437 (1769)                  |
| 4.22 Fork dimensions s • e • l (mm)                                  |  | 50 x 122 x 1070  | 50 x 122 x 1070              | 50 x 150 x 1220              | 60 x 150 x 1220              | 60 x 150 x 1220              |
| 4.23 Fork carriage DIN 15173, A, B                                   |  | Class III A  | Class III A                  | Class III A                  | Class IV A                   | Class IV A                   |
| 4.24 Fork carriage width *5 b3 (mm)                                  |  | 1348 (1678)  | 1348 (1678)                  | 1348 (1678)                  | 1348 (1678)                  | 1348 (1678)                  |
| 4.31 Ground clearance minimum *5 m1 (mm)                             |  | 169 (142)  | 169 (142)                    | 169 (142)                    | 169 (142)                    | 169 (142)                    |
| 4.32 Ground clearance centre of wheelbase *5 m2 (mm)                 |  | 215 (189)  | 215 (189)                    | 215 (189)                    | 215 (189)                    | 215 (189)                    |
| 4.33 Aisle width for pallets (f6-b12) 1000 x 1200 crossways Ast (mm) | 4499   | 4549   | 4645                         | 4719                         | 4780                         |                              |
| 4.34 Aisle width for pallets (f6-b12) 800 x 1200 lengthways Ast (mm) | 4699   | 4749   | 4845                         | 4919                         | 4980                         |                              |
| 4.35 Turning radius Wa (mm)  | 2471   | 2471   | 2614                         | 2614                         | 2614                         |                              |
| 4.36 Internal turning radius b13 (mm)                                | 874  | 874  | 905                          | 905                          | 905                          |                              |
| Performances   | 5.1 Travel speed laden/unladen *5 km/h                             | 18.0/18.7 (18.0/18.7)                                    | 18.0/18.7 (18.0/18.7)        | 17.0/18.0 (17.0/18.0)        | 17.0/18.0 (17.0/18.0)        | 17.0/18.0 (17.0/18.0)        |
|  | 5.2 Lift speed laden/unladen m/s                                   | 0.44/0.47 (0.44/0.47)                                    | 0.44/0.47 (0.44/0.47)        | 0.44/0.47 (0.44/0.47)        | 0.44/0.47 (0.44/0.47)        | 0.44/0.47 (0.44/0.47)        |
|  | 5.3 Lowering speed laden/unladen m/s                               | 0.50 / 0.47  | 0.50 / 0.47                  | 0.50 / 0.47                  | 0.50 / 0.47                  | 0.50 / 0.47                  |
|  | 5.6 Max. drawbar pull laden/unladen *3 N                           | 36.591 / 27.762  | 36.101 / 26.977              | 35.365 / 27.203              | 35.365 / 27.203              | 35.610 / 28.282              |
|  | 5.8 Max. gradeability laden/unladen *3 *5 %                        | 37.0/32.0 (38.5/32.0)                                    | 35.0/30.0 (37.4/30.0)        | 26.0/22.0 (26.0/22.0)        | 26.0/22.0 (26.0/22.0)        | 26.0/20.0 (26.5 / 20.0)      |
|  | 5.9 Acceleration time laden/unladen (0 - 15 m) s                   | -  | -                            | -                            | -                            | -                            |
| 5.10 Service brake   | Wet disc brake   | Wet disc brake   | Wet disc brake               | Wet disc brake               | Wet disc brake               |                              |
| Engine   | 7.1 Manufacturer / Type *6   | Kubota /WG3800-L-E3                                      | Kubota /WG3800-L-E3          | Kubota /WG3800-L-E3          | Kubota /WG3800-L-E3          | Kubota /WG3800-L-E3C         |
|  | 7.2 Rated output acc. To ISO 1585 kW                               | 63.6   | 63.6                         | 63.6                         | 63.6                         | 63.6                         |
|  | 7.3 Rated speed min-1  | 2200   | 2200                         | 2200                         | 2200                         | 2200                         |
|  | 7.4 No. of cylinders / displacement /cm <sup>3</sup>               | 4 / 3,8  | 4 / 3,8                      | 4 / 3,8                      | 4 / 3,8                      | 4 / 3,8                      |
|  | 7.5 Fuel consumption acc. VDI-Cyclus Diesel = l/h, Gas = kg/h      | -  | -                            | -                            | -                            | -                            |
| Misc.  | 8.1 Type of drive control  | hydrodynamic   | hydrodynamic                 | hydrodynamic                 | hydrodynamic                 | hydrodynamic                 |
|  | 8.2 Operating pressure for attachments *7 bar                      | Adjustable   | Adjustable                   | Adjustable                   | Adjustable                   | Adjustable                   |
|  | 8.3 Oil volume for attachments l/min                               | max. 35  | max. 35                      | max. 35                      | max. 35                      | max. 35                      |
|  | 8.4 Sound level, driver's ear *4 dB (A)                            | 83   | 83                           | 83                           | 83                           | 83                           |
|  | 8.5 Towing coupling, class/type DIN                                | PIN  | PIN                          | PIN                          | PIN                          | PIN                          |

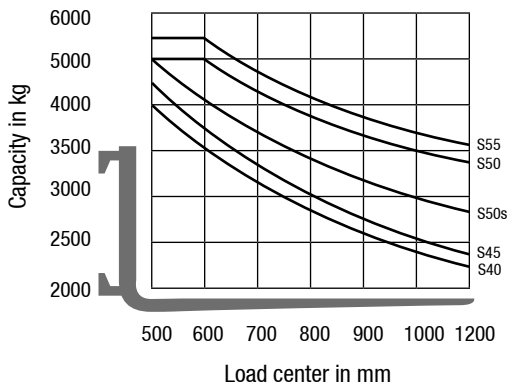
\*1 Option with super-elastic tyres \*2 Further lift heights see upright table \*3 with 1.6 km/h Without load at friction coefficient  $\mu=0.8$  \*4 Equivalent permanent sound-pressure level L pAeq, T in accordance with DIN EN 12053 (previously DIN 45635-36) \*5 Values for Wide or Dual Tyre (Option) \*6 Diesel = Stage 5 / LPG= Stage 5 \*7 Max. 140 bar

All values shown are for a standard lift truck with standard equipment. If the truck is supplied with options, values may change.

All values given may vary + 5 % and - 10 % due the engine and specifications and represent nominal values obtained under typical operating conditions.

# GENERAL DATA

## Truck Capacities Capacity at different load center



### Note:

The listed capacities are valid only for the standard upright in vertical position with standard fork carriage and standard forks, up to max. lifting height of 3300 mm. The centre of gravity of the load may be displaced by max. 100 mm against the longitudinal centre plane of the truck. Load centre is determined from top and front face of the forks. The values are based on a 1000 mm cube load configuration with the centre of gravity at the true centre of the cube. With upright tilted forward lower capacity values are valid. Attachments, longer forks, exceptional load dimensions and higher lifting heights can reduce the capacity.

Please talk to your CLARK dealer if you require further information.

## Upright table S40s/45s

| Mast type | Maximum Fork Height (h3) | Mast Lowered (h1)* | Mast Extended (h4) |                       | Free Lift (h2)      |                       |
|-----------|--------------------------|--------------------|--------------------|-----------------------|---------------------|-----------------------|
|           |                          |                    | with load backrest | without load backrest | with load backrest* | without load backrest |
|           |                          |                    | mm                 | mm                    | mm                  | mm                    |
| Standard  | 3000                     | 2234/2207          | 4252               | 3769                  | 156                 | 156                   |
|           | 3300                     | 2384/2357          | 4520               | 4037                  |                     |                       |
|           | 3500                     | 2484/2457          | 4720               | 4237                  |                     |                       |
|           | 3700                     | 2584/2557          | 4920               | 4437                  |                     |                       |
|           | 4000                     | 2734/2707          | 5220               | 4737                  |                     |                       |
|           | 4500                     | 2984/2957          | 5720               | 5237                  |                     |                       |
| Triplex   | 3700                     | 2016/1989          | 4920               | 4437                  | 796/769             | 1279/1252             |
|           | 4000                     | 2116/2089          | 5220               | 4737                  | 896/869             | 1379/1352             |
|           | 4300                     | 2216/2189          | 5520               | 5037                  | 996/969             | 1479/1452             |
|           | 4500                     | 2283/2256          | 5720               | 5237                  | 1063/1036           | 1546/1519             |
|           | 4800                     | 2383/2356          | 6020               | 5537                  | 1163/1136           | 1646/1619             |
|           | 5000                     | 2450/2423          | 6220               | 5737                  | 1230/1203           | 1713/1686             |
|           | 5500                     | 2617/2590          | 6720               | 6237                  | 1397/1370           | 1880/1853             |
|           | 6000                     | 2784/2757          | 7220               | 6737                  | 1564/1537           | 2047/2020             |
|           | 6500                     | 2951/2924          | 7720               | 7237                  | 1731/1704           | 2214/2187             |
|           | 7000                     | 3118/3091          | 8220               | 7737                  | 1898/1871           | 2381/2354             |
| HI-L0     | 2700                     | 2133/2106          | 3920               | 3437                  | 913/886             | 1396/1369             |
|           | 3000                     | 2283/2256          | 4220               | 3737                  | 1063/1036           | 1546/1519             |
|           | 3300                     | 2433/2406          | 4520               | 4037                  | 1213/1186           | 1696/1669             |

\* Single / Dual Tyre

## Upright table S50s

| Mast type | Maximum Fork Height (h3) | Mast Lowered (h1)* | Mast Extended (h4) |                       | Free Lift (h2)      |                        |
|-----------|--------------------------|--------------------|--------------------|-----------------------|---------------------|------------------------|
|           |                          |                    | with load backrest | without load backrest | with load backrest* | without load backrest* |
|           |                          |                    | mm                 | mm                    | mm                  | mm                     |
| Standard  | 3000                     | 2234/2207          | 4252               | 3962                  | 156                 | 156                    |
|           | 3300                     | 2384/2357          | 4520               | 4037                  |                     |                        |
|           | 3500                     | 2484/2457          | 4720               | 4237                  |                     |                        |
|           | 3700                     | 2584/2557          | 4920               | 4437                  |                     |                        |
|           | 4000                     | 2734/2707          | 5220               | 4737                  |                     |                        |
|           | 4500                     | 2984/2957          | 5720               | 5237                  |                     |                        |
| Triplex   | 3700                     | 2016/1989          | 4920               | 4437                  | 796/769             | 1086/1059              |
|           | 4000                     | 2116/2089          | 5220               | 4737                  | 896/869             | 1186/1159              |
|           | 4300                     | 2216/2189          | 5520               | 5037                  | 996/969             | 1286/1259              |
|           | 4500                     | 2283/2256          | 5720               | 5237                  | 1063/1036           | 1353/1326              |
|           | 4800                     | 2383/2356          | 6020               | 5537                  | 1163/1136           | 1453/1426              |
|           | 5000                     | 2450/2423          | 6220               | 5737                  | 1230/1203           | 1520/1493              |
|           | 5500                     | 2617/2590          | 6720               | 6237                  | 1397/1370           | 1687/1660              |
|           | 6000                     | 2784/2757          | 7220               | 6737                  | 1564/1537           | 1854/1827              |
|           | 6500                     | 2951/2924          | 7720               | 7237                  | 1731/1704           | 2021/1994              |
|           | 7000                     | 3118/3091          | 8220               | 7737                  | 1898/1871           | 2188/2161              |
| HI-L0     | 2700                     | 2133/2106          | 3920               | 3437                  | 913/886             | 1203/1176              |
|           | 3000                     | 2283/2256          | 4220               | 3737                  | 1063/1036           | 1353/1326              |
|           | 3300                     | 2433/2406          | 4520               | 4037                  | 1213/1186           | 1503/1476              |

\* Single / Dual Tyre

## Upright table S50/55

| Mast type | Maximum Fork Height (h3) | Mast Lowered (h1)* | Mast Extended (h4) |                       | Free Lift (h2)      |                        |
|-----------|--------------------------|--------------------|--------------------|-----------------------|---------------------|------------------------|
|           |                          |                    | with load backrest | without load backrest | with load backrest* | without load backrest* |
|           |                          |                    | mm                 | mm                    | mm                  | mm                     |
| Standard  | 2800                     | 2242/2207          | 4062               | 3772                  | 166                 | 166                    |
|           | 3100                     | 2392/2357          | 4320               | 4030                  |                     |                        |
|           | 3300                     | 2492/2457          | 4520               | 4230                  |                     |                        |
|           | 3500                     | 2592/2557          | 4720               | 4430                  |                     |                        |
|           | 3800                     | 2742/2707          | 5020               | 4730                  |                     |                        |
|           | 4300                     | 2992/2957          | 5520               | 5230                  |                     |                        |
|           | 4800                     | 3242/3207          | 6020               | 5730                  |                     |                        |
| Triplex   | 3800                     | 2124/2089          | 5020               | 4730                  | 904/869             | 1194/1159              |
|           | 4100                     | 2224/2189          | 5320               | 5030                  | 1004/969            | 1294/1259              |
|           | 4300                     | 2291/2256          | 5520               | 5230                  | 1071/1036           | 1361/1326              |
|           | 4600                     | 2391/2356          | 5820               | 5530                  | 1171/1136           | 1461/1426              |
|           | 4800                     | 2458/2423          | 6020               | 5730                  | 1238/1203           | 1528/1493              |
|           | 5300                     | 2625/2590          | 6520               | 6230                  | 1405/1370           | 1695/1660              |
|           | 5800                     | 2792/2757          | 7020               | 6730                  | 1572/1537           | 1862/1827              |
|           | 6300                     | 2959/2924          | 7520               | 7230                  | 1739/1704           | 2029/1994              |
|           | 6800                     | 3126/3091          | 8020               | 7730                  | 1906/1871           | 2196/2161              |
|           | HI-L0                    | 2600               | 2141/2106          | 3820                  | 3530                | 921/886                |
| 2900      |                          | 2291/2256          | 4120               | 3830                  | 1071/1036           | 1361/1326              |
| 3200      |                          | 2441/2406          | 4420               | 4130                  | 1231/1186           | 1511/1476              |

\* Single / Dual Tyre

Performance may vary + 5 % and - 10 % due to motor and system efficiency tolerance. The performance shown represents nominal values which may be obtained under typical operating conditions of a machine. CLARK products and specifications are subject to change without notice.

# PRODUCT DESCRIPTION

## PRODUCT DESCRIPTION

With the S-Series, CLARK has perfectly developed its already proven, reliable and powerful CLARK forklift trucks. The result is a forklift truck series that is characterised by low operating and maintenance costs as well as a well-designed and ergonomic driver's workplace: An ideal combination that is unparalleled in the market.

### Operator Compartment

- Ergonomic operator 's compartment that offers plenty of legroom
- Large unrestricted entrance and exit
- Minimal vibrations
- Non-slip metal step
- Non-slip foot area
- Large grab handle on the driver side of entry makes it easy to climb up and down
- Adjustable steering column allows more leg and foot room
- Small steering wheel diameter ( $\phi=300$  mm)
- Hydraulic power steering
- Adjustable seats with mechanical or air- suspension
- Hood mounted hydraulic control by levers or electronic hydraulic control via mini-levers
- Ergonomic positioned drive, inch and brake pedals
- Low front fairing for best visibility
- Very clear visibility through the mast thanks to double primary cylinders on all uprights with free lift
- Cup holder, storage box and document holder on demand with 12 Volt power connection or USB charging port

### Smart-Display

- Clear and easy-to-read 5-inch colour display
- Protected against water ingress
- Maintenance indicator and password-protected service access
- Selection of different warning signs (optical / acoustic)

### Truck settings for more fuel efficiency

- Automatic engine shut down timer to avoid unwanted fuel consumption by running engine
- Automatic light switch-off if the driver's seat is not in use
- The setting for each shutdown function can be activated on demand and will start after the operator has left the driver seat. The duration of the switch-off delay is adjustable

### Engine, Transmission

The CLARK S-Series forklifts with LPG or diesel-powered offer excellent acceleration and performance power. The modern Kubota engines are efficient and at the top end of the performance class.

A protection against overheating is active at any time. The engine is mounted on rubber isolation blocks. In addition, a split-transmission reduces vibrations and noise to a minimum.

### Diesel Engine

- Kubota V3800
- Meets the exhaust emission regulations within the EU (Euro emission stage 5)
- Turbocharger with intercooler
- DPF (Diesel Particulate Filter)
- DOC (Diesel Oxidation Catalyst)
- No additional additives required

### LPG Engine

- Kubota WG3800
- Meets the exhaust emission regulations within the EU (Euro emission stage 5)
- ECU-controlled map ignition for more torque
- 4-cylinder design with overhead valve
- Electronic controlled engine speed

### Steering system

- Hydrostatic power steering eliminating steering kick-back
- Robust steering axle with pivotal bearings in mounted rubber steel mounting

### Brake system

- Auto engaging electric parking brake with rollback protection on gradients and ramps
- Maintenance free wet disc service brakes
- Power assisted service brake for easier operation with more effect

### Hydraulic system

- Full-flow reverse filter, filters the oil to the tank at each reverse flow
- Rough particles are filtered directly via a suction filter, thereby preventing them from entering the oil circuit. This ensures a long service life for all hydraulic components
- Large hydraulic oil tank (47 L) makes sure that there is always enough hydraulic oil available for the highest upright and all type of attachments
- A safety valve provides extra safety and prevents an uncontrolled load lowering at all times

### Upright/Mast

- The clear-view uprights are available in Standard-, Hilo- and Triplex-Version
- Very clear visibility
- Double primary cylinders on Hilo- and Triplex-uprights
- Robust 6-roller fork carriage with adjustable side rollers for durability
- The hose roller is mounted separately on the top of the chain roller for best visibility

### Additional standard equipment

LED-front headlights, pneumatic tyres, direction indicator lights, combination rear lights with brake lights and white reversing lights (LED). Paintwork in a bright safety colour CLARK HOT YELLOW GREEN ". Driver's compartment and upright in matt black, rims in gloss black

### Additional options

- SE tyres
- Heated cabs
- Cabs with air-con (diesel engine only)
- Armrest mounted mini-lever with direction control
- Direction switch mounted on a mechanical hydraulic lever
- Integrated or hook-type side-shifter
- Locking fuel cap (Diesel only)
- Speed limiter
- Rear view camera
- USB charging port
- 12 Volt power connection
- Blue safety light as visual back-up alarm
- Load weight indicator
- CLARK Vertical Mast System (VMS)  
When the function is activated, the tilting process of the mast stops automatically in vertical position.
- Various seats with armrest or side wings
- Quick release couplings
- Acoustic backup alarm
- Vertical exhaust tail pipe
- ...and much more

### Safety

The S-Series is CE-certified and complies with all corresponding European safety standards.

Contact your local CLARK dealer to find the right configuration for your needs.