



Telehandler

T 235 H

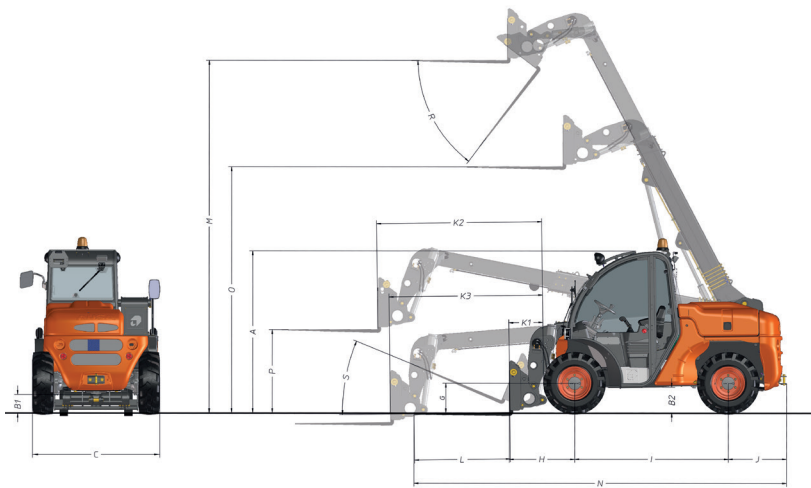


TECHNICAL DATA

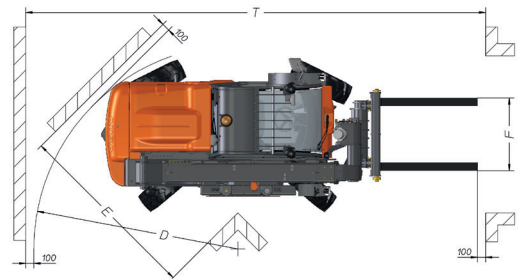
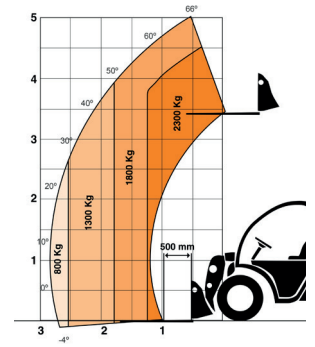
		T 235 H M321
GENERAL		
Load capacity	Kg	2300
Load capacity at maximum height	Kg	1800
Maximum height	mm	5000
Maximum height under maximum load	mm	4500
Maximum reach	mm	2858
Maximum load at maximum reach	Kg	800
Unladen weight *	Kg	4700
Transmission		Hydrostatic automatic control
ENGINE		
Make		KUBOTA
Model		V-2403
Power	kW	36,5
Torque	Nm@rpm	160@1600
No. cylinders		4
Emissions		Tier 4i , Stage IIIA
Ambient noise	dB(A)	101
Consumption	l/h	8,2
CO2	Kg/h	21
DRIVING		
Maximum speed	Km/h	24
Gradeability under full load	%	44
Traction		4x4x4
Front tyres		10/75-15.3
Rear tyres		10/75-15.3
HYDRAULIC SYSTEM		
Flow rate	l/min	56
Working pressure	bar	240
TANK CAPACITY		
Fuel	l	65
Hydraulic	l	70
FRENOS		
Service		Hydraulic - disc
Parking		Mechanical

* It may change due to optional equipment

DIMENSIONS



AUSA carriage



DIMENSIONS (mm)

T 235 H

DIMENSIONS (mm)	T 235 H
A	2012
B1	224
B2	310
C	1585
D	2877
E	2309
F	1015
G	358
H	945
I	1925
J	810
K1	1760
K2	2358
K3	2232
L	1200
M	4976
N	4880
O	3396
P	911
R	43°
S	24°
T	5890



www.ausa.com

Products are subject to modifications without prior notice. Images throughout the spec sheet may refer to non-standard machines or non-available configurations depending on models.
 AUSA's logo and corporate identity are property of the Company, they cannot be used without authorization.