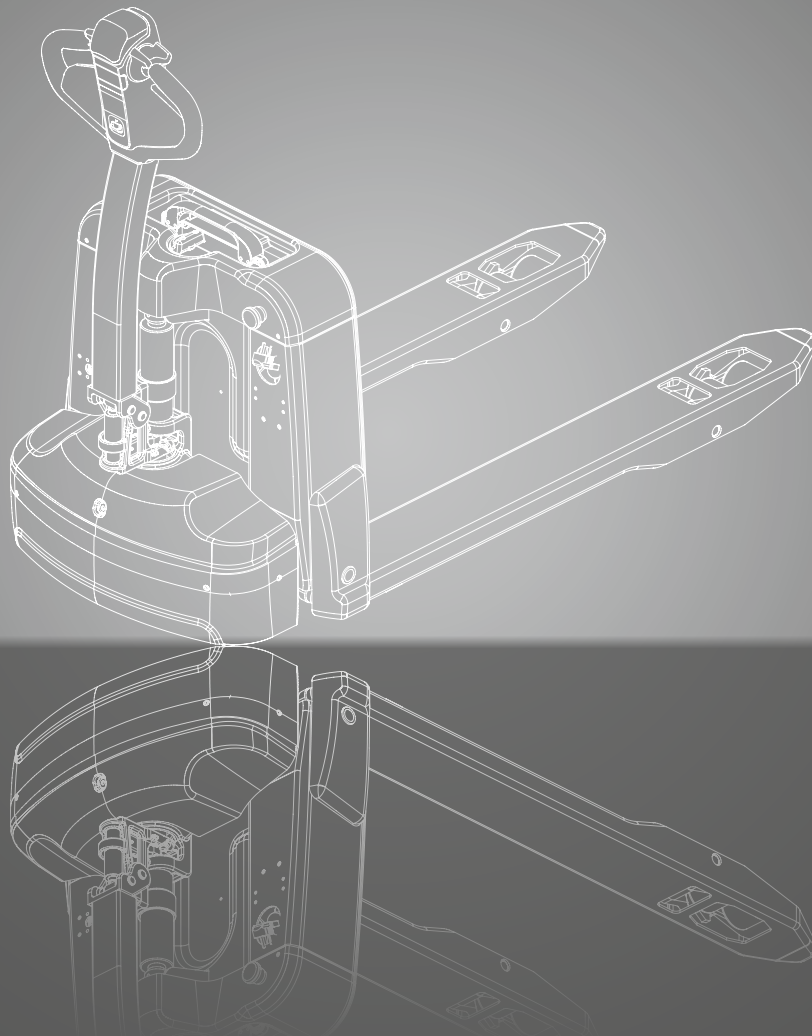


WPio18

Lithium-Ion Low Lift Pallet Truck
1.800 kg



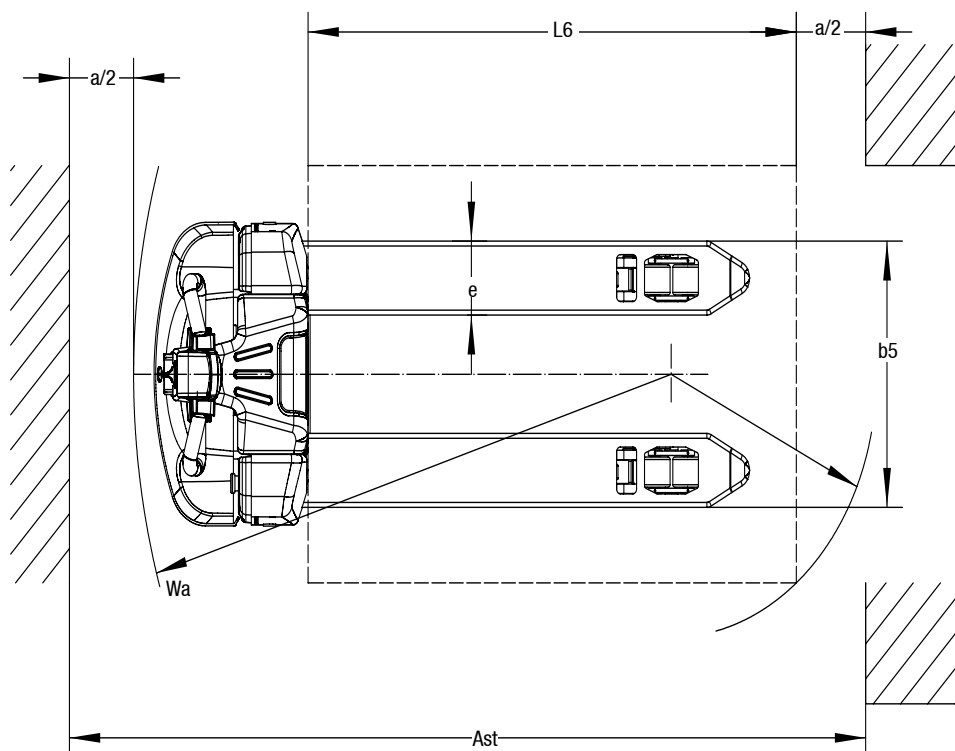
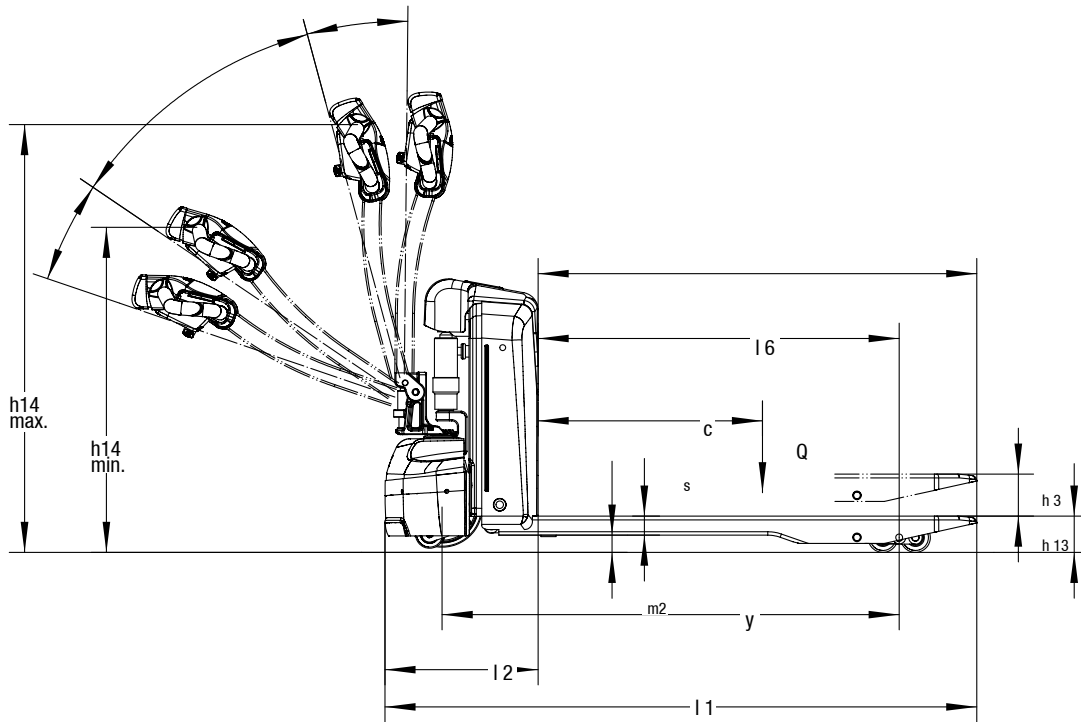
DIMENSIONS

WPio18

$$R_h = \sqrt{x^2 + \left(\frac{b_{12}}{2}\right)^2}$$

$$A_{st} = W_a + l_6 - x + a \text{ if } R_h < W_a$$

$$A_{st} = R_h + l_6 - x + a \text{ if } R_h > W_a$$



For corresponding data see specification chart.

SPECIFICATIONS

Product Specification acc. to VDI 2198

1.1 Manufacturer (Abbreviation)		CLARK
Specifications	1.2 Manufacturer's designation	WPio18
	1.3 Drive	48 V Electric
	1.4 Operator type	Pedestrian
	1.5 Rated capacity/rated load	Q (kg) 1.800
	1.6 Load centre distance	c (mm) 600
	1.8 Load distance	x (mm) 940
	1.9 Wheelbase	y (mm) 1.200
Weight	2.1 Service weight incl. battery (see 6.5)	kg 160
	2.2 Axle loading, laden front/rear	kg 660 / 1.400
	2.3 Axle loading, unladen front/rear	kg 130 / 30
Tyres, Chassis	3.1 Tyres	Polyurethane
	3.2 Tyre size, front	Ø 210 x 70
	3.3 Tyre size, rear	Ø 80 x 60 / Ø 74 x 88
	3.4 Additional wheels (dimensions)	Ø 74 x 30
	3.5 Wheels, number front/rear (x = driven wheels)	1 x + 2 / 4 / 1 x + 2 / 2
	3.6 Tread, front	b10 (mm) 450
	3.7 Tread, rear	b11 (mm) 390
Dimensions	4.4 Lift	h3 (mm) 115
	4.4 Lift height	h3 + h13 (mm) 195
	4.9 Height tiller in driving position min./max.	h14 (mm) 700 / 1.260
	4.15 Height, lowered	h13 (mm) 80
	4.19 Overall length (without platform)	l1 (mm) 1.550
	4.20 Length to face of forks (without platform)	l2 (mm) 400
	4.21 Overall width	b1 (mm) 610
	4.22 Fork dimensions	s • e • l (mm) 50 x 150 x 1.150
	4.25 Distance between fork-arms	b5 (mm) 540
	4.32 Ground clearance, centre of wheelbase	m2 (mm) 30
4.33 Aisle width for pallets 1.000 x 1.200 sideways	Ast (mm) 2.145	
4.34 Aisle width for pallets 800 x 1.200 lengthways	Ast (mm) 2.050	
4.35 Turning radius	Wa (mm) 1.330	
Performance	5.1 Travel speed, laden/unladen	km/h 5 / 5.5
	5.2 Lift speed, laden/unladen	m/s 0.020 / 0.025
	5.3 Lowering speed, laden/unladen	m/s 0.065 / 0.030
	5.8 Max. gradeability, laden/unladen *1	% 6 / 16
	5.10 Service brake	Electric
Electrics	6.1 Drive motor rating S2 60 min	kW 0.9
	6.2 Lift motor rating at S3 15 %	kW 0.8
	6.3 Battery acc. to DIN 43531/35/36 A, B, C, no	No
	6.4 Battery voltage/nominal capacity (5hr)	V/Ah 48 / 20
	6.5 Battery weight	kg 14
	6.6 Energy consumption acc. to VDI cycle	kWh/h -
	- Battery type	Lithium-ion
8.1 Type of drive unit	DC	
Misc.	10.5 Steering design	Mechanical
	10.7 Sound pressure level at the driver's seat acc. to EN 12053	dB(A) 74

*1) At friction coefficient $\mu=0.6$ with 1.6 km/h

All data refer to trucks in standard design.

Performance may vary + 5 % and - 10 % due to motor and system efficiency tolerance. The performance shown represents nominal values which may be obtained under typical operating conditions of a machine. CLARK products and specifications are subject to change without notice.

EQUIPMENT EXTRAS

		WPio18
General	Easy to handle lithium-ion battery (14 kg)	•
	Truck net weight, including battery 160 kg (incl. battery)	•
	Internal charger (48 V / 10 A)	•
	External charger (48 V / 10 A)	x
	Electrical lift and lowering and electrical drive system	•
Drive Options	Tandem load wheel (Polyurethane)	•
	Single load wheel (Polyurethane)	x
	Replacement lithium-ion battery	x
	Battery discharge indicator	•
Dimensions	Distance between fork-arms: 540 mm	•
	Distance between fork-arms: 685 mm	x
	Fork length 1.150 mm	•
	Fork length 900 mm, 1.000 mm, 1.220 mm, 1.350 mm or 1.500 mm	x
Safety	Key switch activation via smart key	•
	Monitored by battery management system	•
	Automatic lift stop at maximum lift	•
	Gradient anti-roll-back	•
	Automatic parking brake	•
	Belly switch	•

• = Standard Equipment; x = Option

FEATURES & ADVANTAGES

WPio18

Electrical lifting and lowering

- Sensitive lifting and lowering
- Drive and operating controls in easy reach position
- Automatic braking when the tiller arm is released
- Suitable for both left- and right-handed users

Smart Key

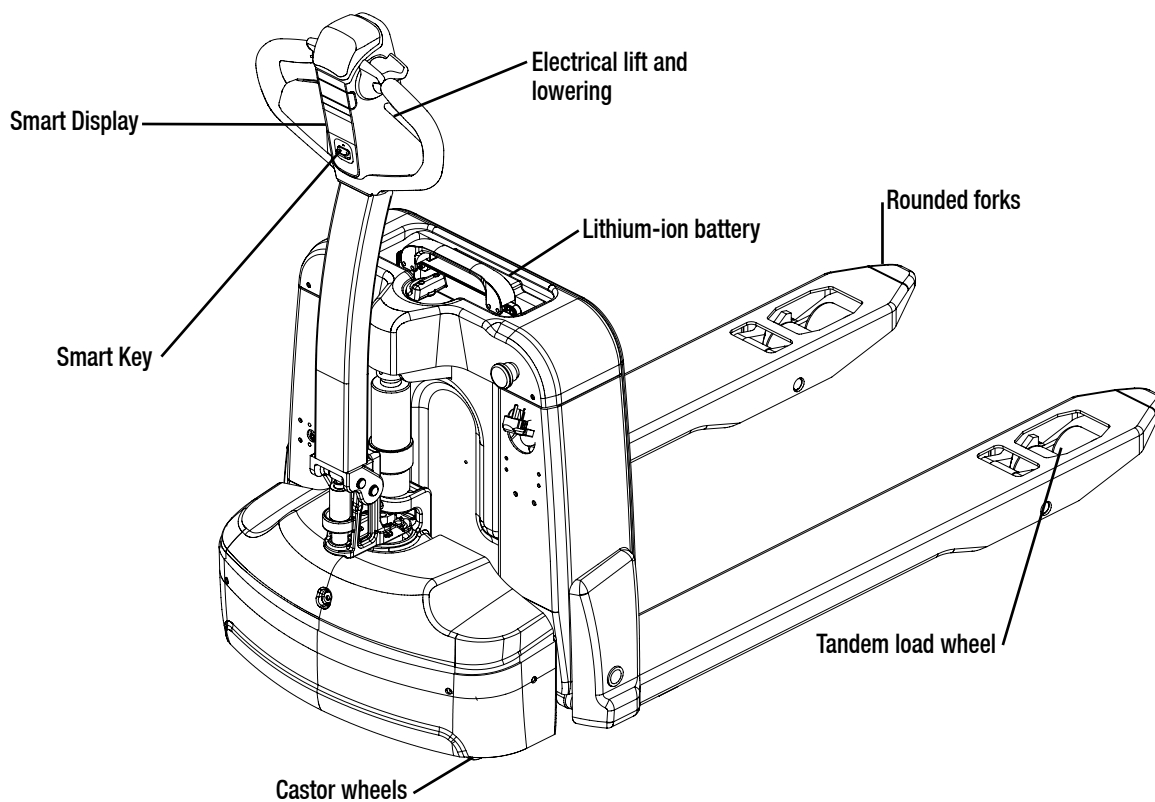
- Smart-Key activation
- Easy to use
- Access control

Smart Display

- Battery discharge indicator
- Operating hour counter
- Battery management system
- On-board diagnostics via error codes

Application

- Powerful 48 Volt drive with Li-ion-Power
- Smooth and quiet operation
- Always usable with the lithium-ion battery from top-up charging
- Quick charging times
- Programmability for adapted driving behavior
- Maneuverability in tight corners
 - Total width (b1) only 610 mm
 - Length to fork face (l2) only 400 mm
 - Turning radius (WA) only 1.330 mm



WPio18

The WPio18 – The compact power pack

With 48 Volt technology and a 48 Volt (0.9 kW) drive motor, the WPio18 has even more power and is more flexible than the comparable CLARK WPio15 low-lift pallet truck.

With a load capacity of 1.8 tons, the low-lift truck also has a large color display that gives the operator all the right information at a glance, such as remaining battery capacity. The side support rollers ensure stable travel even in curves.

Thanks to the maintenance-free lithium-ion battery and the integrated charger, no major changes in everyday working life are necessary to replace conventional low-lift trucks with the WPio18. The device is the ideal helper for medium-intensive applications in goods distribution, production or in the warehouse.

Advantages of Lithium-ion technology in the WPio18

High performance in a compact design

The high energy density of the installed lithium-ion battery provides great travel performance and long operating periods of up to 3,2 hours. At the same time, the WPio18 is very compact and has a low service weight, which means it consumes up to 30 % less energy than vehicles with lead-acid batteries.

Fast charging + top-up charging

Up to 5 % of battery capacity can be recharged in just 10 minutes. Top-up charging can be used between full charges without affecting the service life of the battery. The battery can be recharged with any 230-V socket. A completely discharged battery (20 %) is fully charged in about 3,5 hours.

Double service life + maintenance-free battery

The Lithium-ion battery has approximately twice the service life of a conventional lead-acid battery. In addition, no maintenance work is required, such as checking the water level around the Lithium-ion battery. No costs are incurred for adapting the existing charging infrastructure (e.g. ventilation).

Dealer:

CLARK Europe GmbH

Dr.-Alfred-Herrhausen-Allee 33
47228 Duisburg / Germany
Tel.: +49 (0)2065 499 13-0
Fax: +49 (0)2065 499 13-290

E-Mail: Info-europe@clarkmheu.com
www.clarkmheu.com